



6000





Concept

Design, innovative and robust constructions, effective solutions for all applications and the unique large waste hopper make the Dulevo 6000 the perfect working tool for all seasons – everywhere and at any time - regardless of high or low temperatures, sun, rain or snow. Up to date technology and top-quality components ensure the high standards demanded by the market – a guaranty of longevity.



Comfort

Operators comfort and ergonomics are our priority together with application specifications. Effective axle suspensions and ideal weight distribution insure a balanced and safe drive ability. The powerful drive transmission guarantees the use in difficult conditions and on slopes too. The hydraulically assisted and the synchronized four-wheel-steering greatly simplify complex manoeuvres.



Cabin

The generous interior space of the cabin and the quality seats make the machine an extremely comfortable workplace. An additional insulation and springs protect the operator from noise emissions and vibrations. The large window surfaces of the cab allow the all-round view of the working area. The standard equipment includes heated mirrors, air condition and a charging plug for mobile devices.



Access & Service

The innovative, modular structure with the unique tiltable cabin and the on-top-centred position of all main components allow the most simple access to all important components for service and maintenance. Dulevo 6000 is fully hydrostatic driven without the use of any electronic components.



Environment

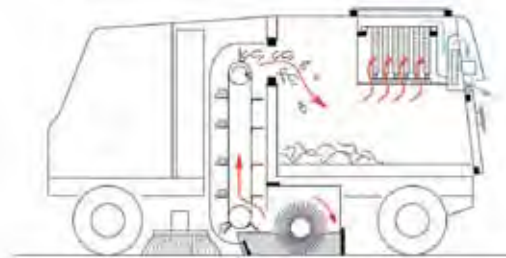
Dulevo and environmental awareness belongs together since several time. Lowest noise, dust emission, lowest water and fuel consumption are the basic concept of Dulevo 6000. With a proofed fine dust reduction of 100% (compared to standard suction sweeping equipment) and a water saving of up to 60%, Dulevo 6000 fulfils all the environmental future demands. The engine respects the latest EU emission regulations.

Fine dust emissions – System related differences:



Traditional suction system

Traditional filter



Dulevo Patented Mechanical-suction-filter system

Dulevo filter



Dulevo International unique filtration technology

In cooperation with Gore® Dulevo developed the only worldwide existing full fine dust filtration sweeper. This mechanical-suction-filtration system grants with the exclusive application of the Gore® technology a total abatement of PM10 particles.

Further benefits of the filter technology are:

- No Maintenance
- Self cleaning effect
- Highest proofed absorbing of PM10 / PM5 / PM2,5 / PM 1
- 5 Years Warranty
- Granted constant & durable filtering
- 35 % higher Airflow
- Resistance against water, oil, fats, chemical agents, etc

GORE dust filters installed in the industrial sweeper have 5 YEARS warranty.



FILTERING CAPACITY (with Certificate of conformity issued by TÜV and DNV)	
	Fraction with granulometry < 1 µm 58%
	Fraction with granulometry < 2,5 µm 92%
	Fraction with granulometry < 5 µm 98%
	Fraction with granulometry < 10 µm >99%



Application

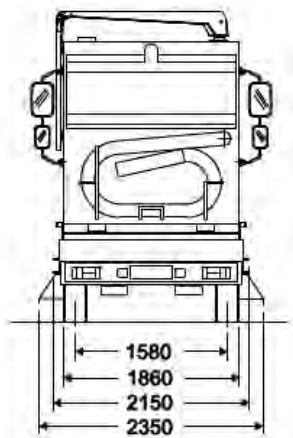
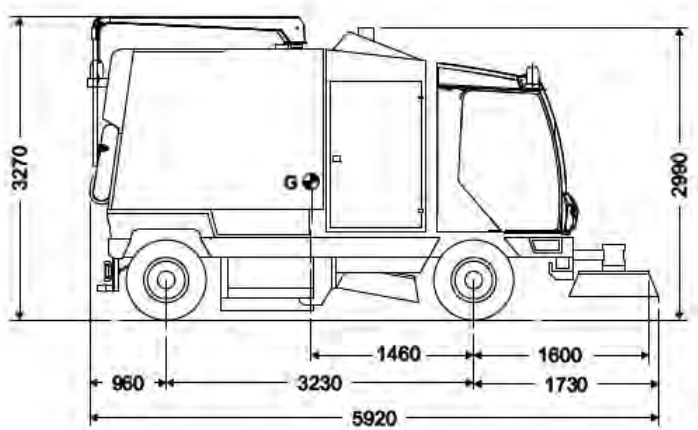
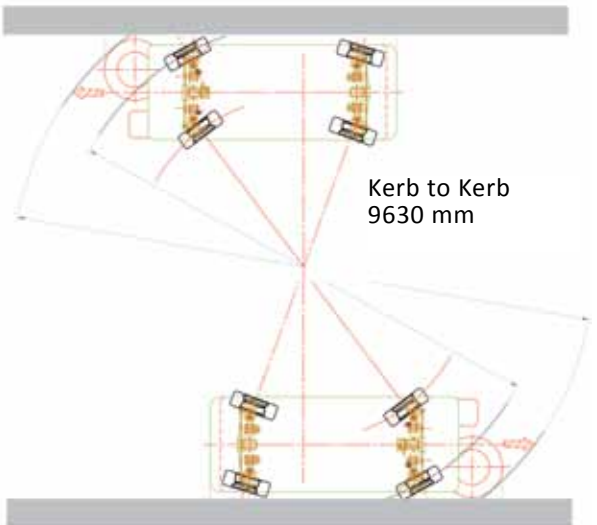
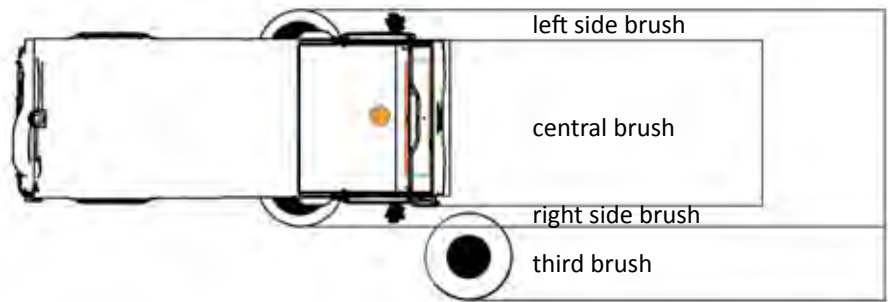
The 180-degree full motion massive front brush is an indispensable auxiliary tool for sweeping corners, gutters and for increasing working width.

The hopper uplifting system allows the discharge of the debris in refuse containers, trucks or in big refuse compactors. A variety of options expand the working spectrum of Dulevo 6000 – everywhere at any time.



Security

One of Dulevo priority has always been the safety in the working environment of the machine. Dulevo 6000 is equipped with a reverse camera with a colour screen in the cabin next to an acoustical warning.



TECHNICAL DATA		6000
Sweeping width		
- With central brush	mm	1300
- With side brushes	mm	2600
- With third brush	mm	3500
Waste container capacity	m ³	6.2
Dumping height	mm	1150
Dumping height (opt)	mm	2300
Seats in the cabin	Nr	2 o 3 (opt)
Cleaning performance	m ² /h	105000
Maximum speed	Km/h	42
PM 10 filtration	%	99
Engine Brand		FPT Industrial (IVECO)
Fuel		DIESEL



DULEVO INTERNATIONAL S.P.A.

Via G.Guareschi,1 - 43012 - Fontanellato (Parma) Italia

ph: +39 0521 827711 - Fax: +39 0521 827795

info@dulevo.com - www.dulevo.com

